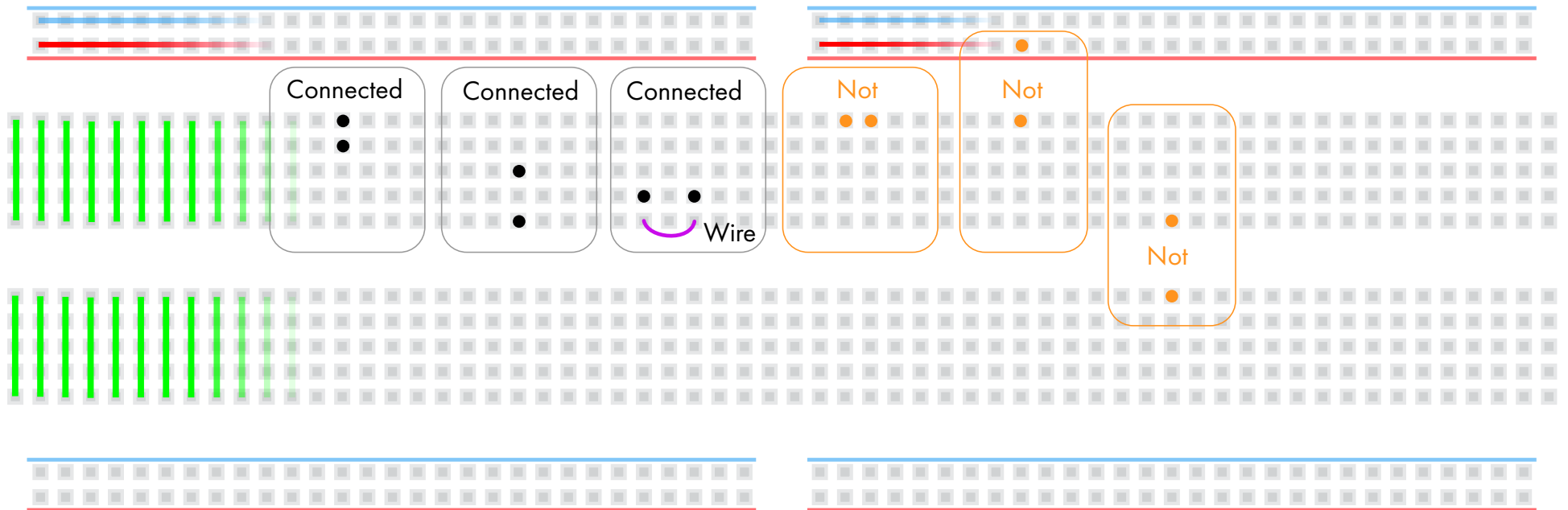


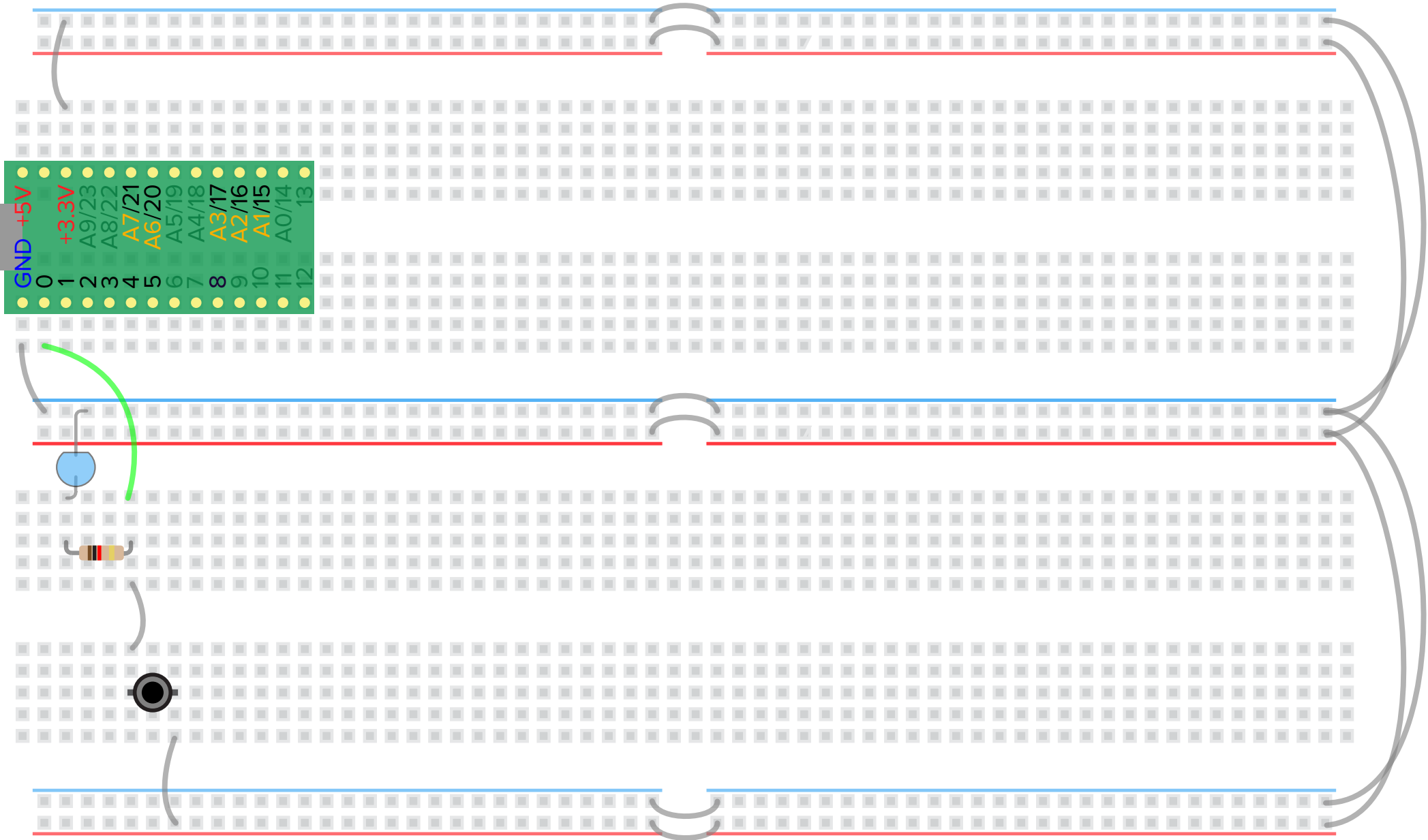
Breadboard basics



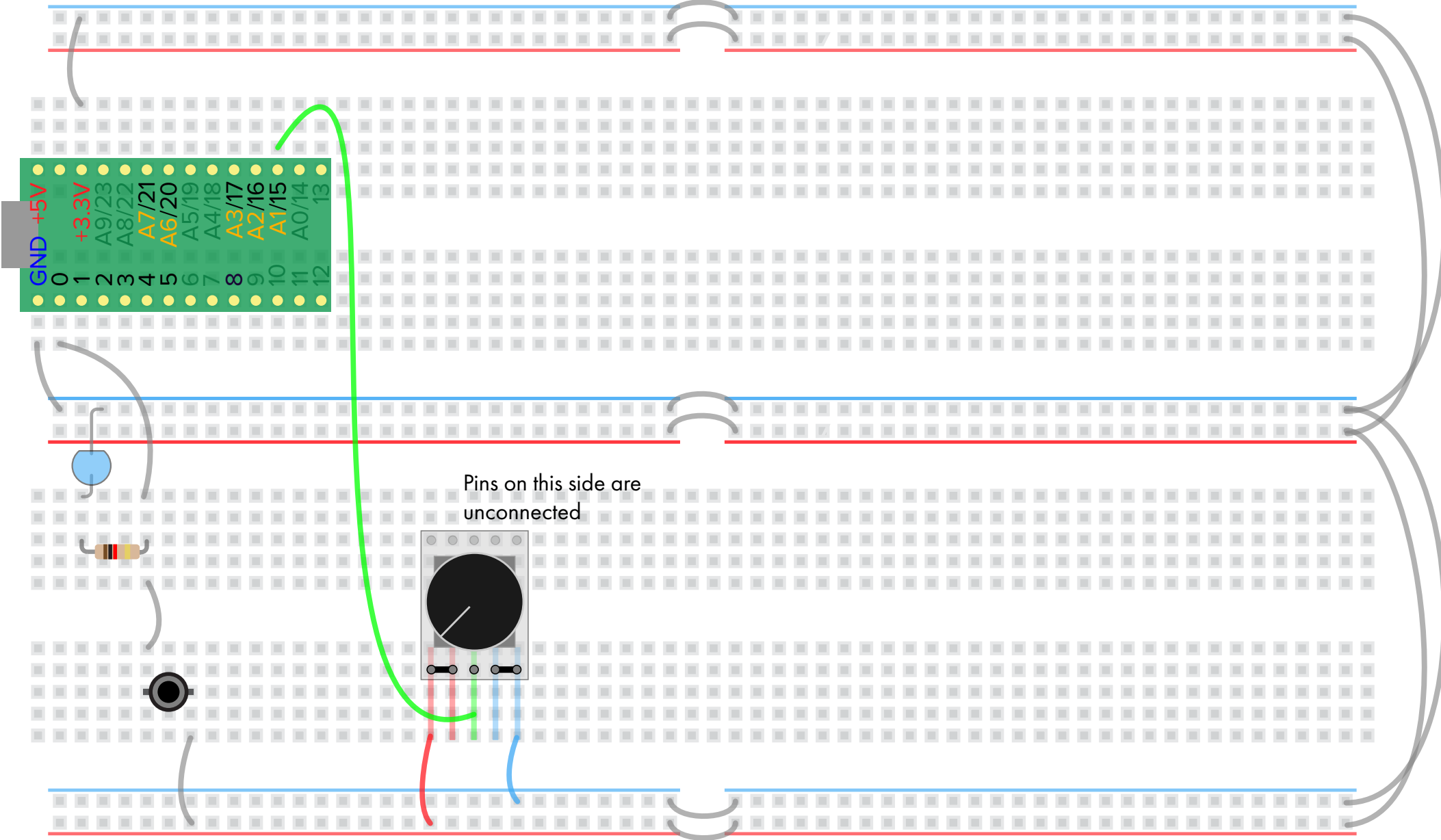
Your first circuit



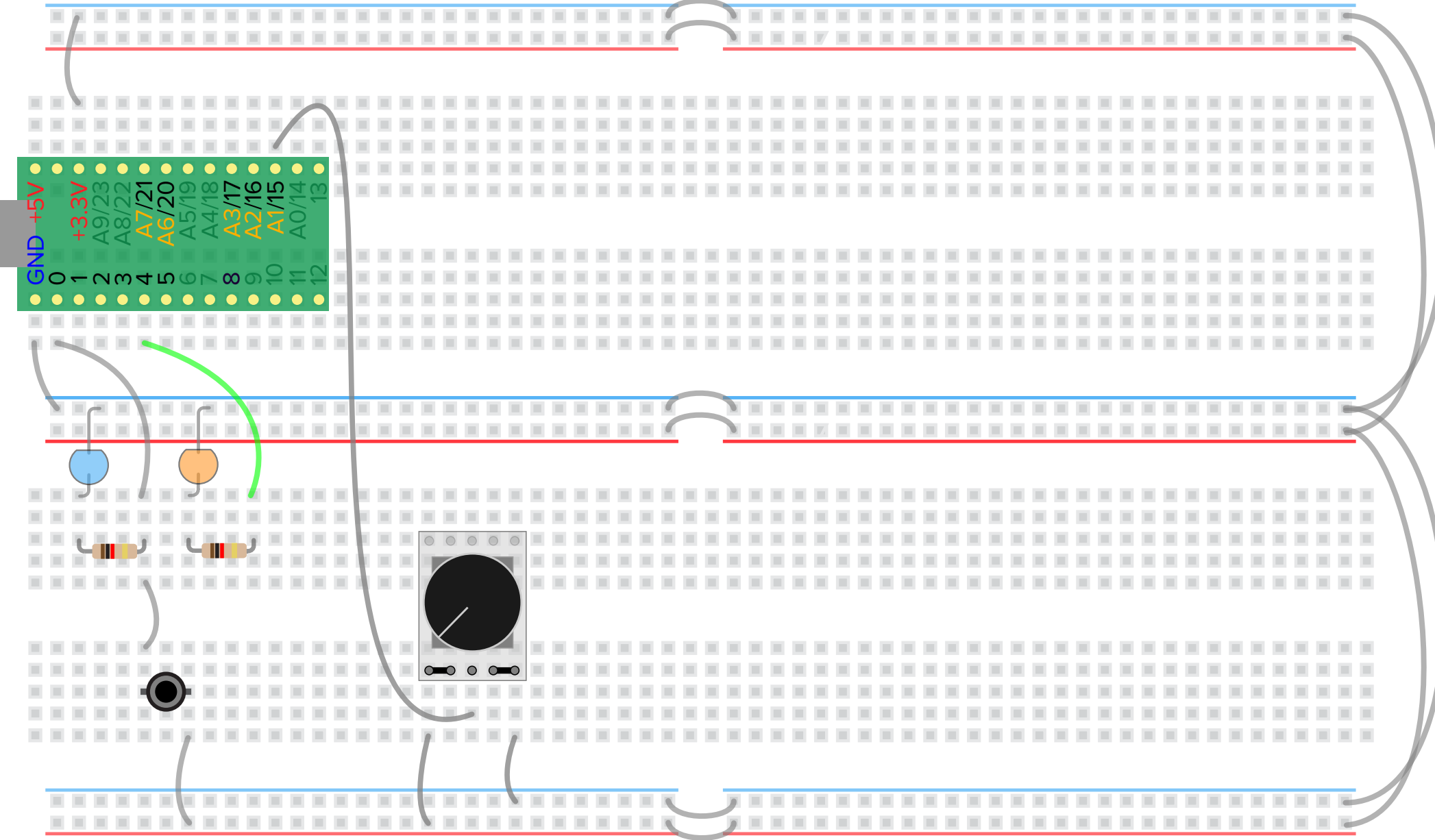
blink 1



blink 3 - with pot



blink 4 - two lights



blink 5 - with pot

