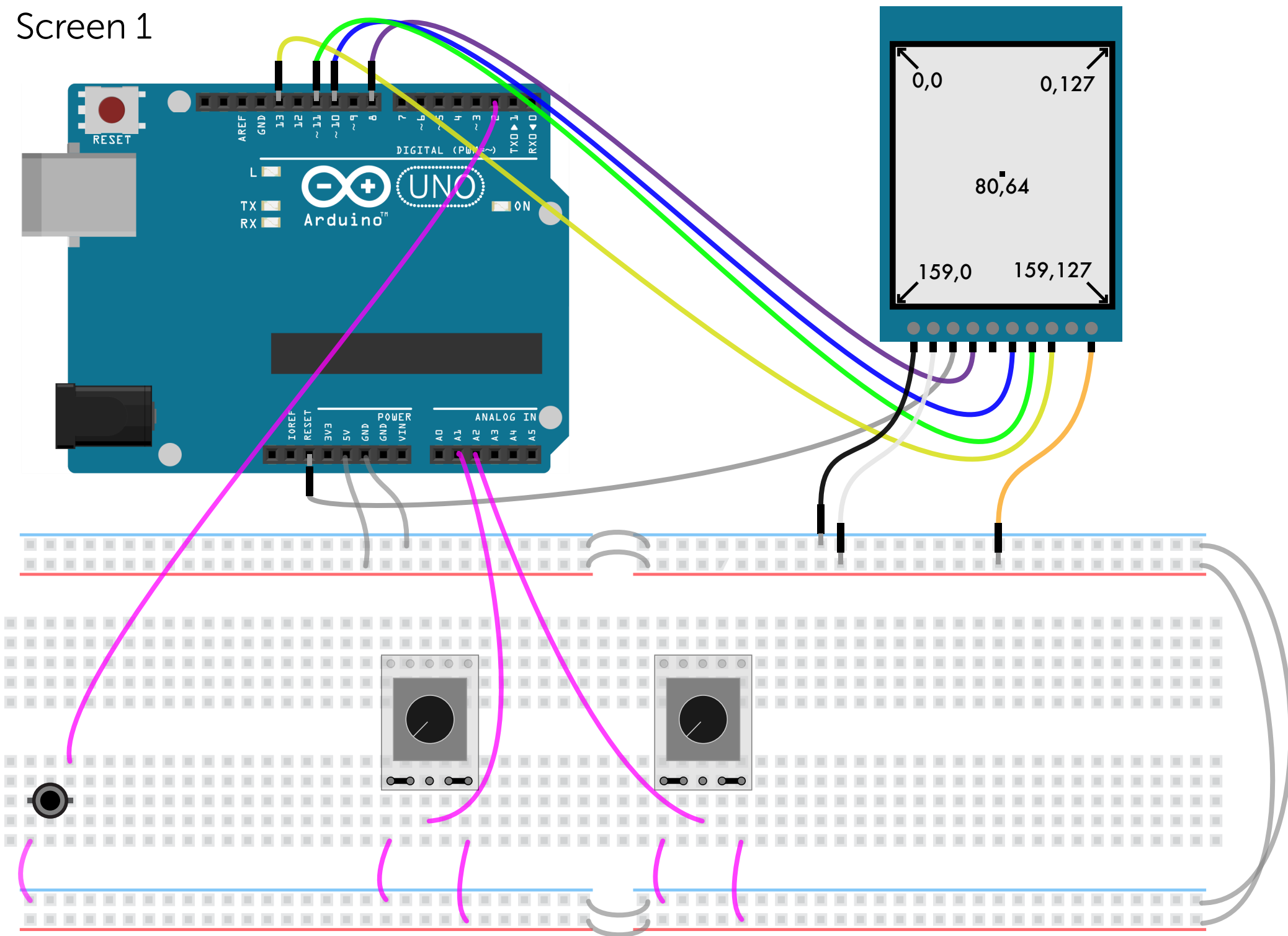


# Screen 1



# Screen 4

